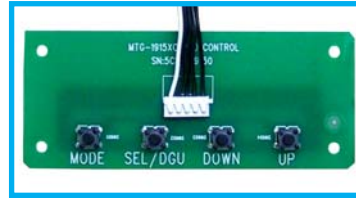


# D9100 Series

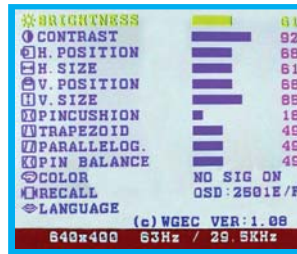
# Monitor Specifications



## Digital Monitor



Push Button  
Control Board



On-Screen Display

## Power Input

- Input voltage: 90-264 VAC, 50-60 Hz; no isolation transformer required.
- Maximum power: 80 watts typ. (15"), 95 watts typ. (17"), 110 watts typ. (19")

## Resolution

- Graphics mode:  
VGA: 640X200, 640X350, 640X480  
SVGA: 800X600, 1024X768  
XGA: 1280X1024
- Video bandwidth: 50 MHz typical.

## Miscellaneous

- Operating temperature: 0 to 55 degree C
- Agency compliance: UL6500, CSA, CB (IEC65), N (NEMKO IEC950), DHHS, CE

## Specification

- CRT size (diagonal measure): 15", 17" and 18v
- Phosphor type: P22
- Color Temperature: 8500°K  $\pm$  500°K
- Dot trio spacing: 0.28 mm (15"), 0.28 mm (17"), 0.39 mm (19")

## Input Signals

- Input connector: 15 pin D-sub high density male; VGA compatible
- Video type: RGB analog
- Video input impedance: 75 Ohm; other levels optional
- Video level: 0.7 volts peak-to-peak; other levels optional
- Sync type: Standard VGA/SVGA TTL sync (positive or negative)
- Sync input impedance: >1k Ohm (H sync and V sync)
- Horizontal sync frequency: 30 to 70 KHz
- Vertical sync frequency: 40 to 160 Hz

## Light Output

- 50 Ft-L min. (center block)

## Geometry

- Horizontal linearity:  $\pm$ 7%
- Vertical linearity:  $\pm$ 5%
- Picture size regulation: 2%
- Geometric distortion:  $\pm$ 2% max.

## User Controls

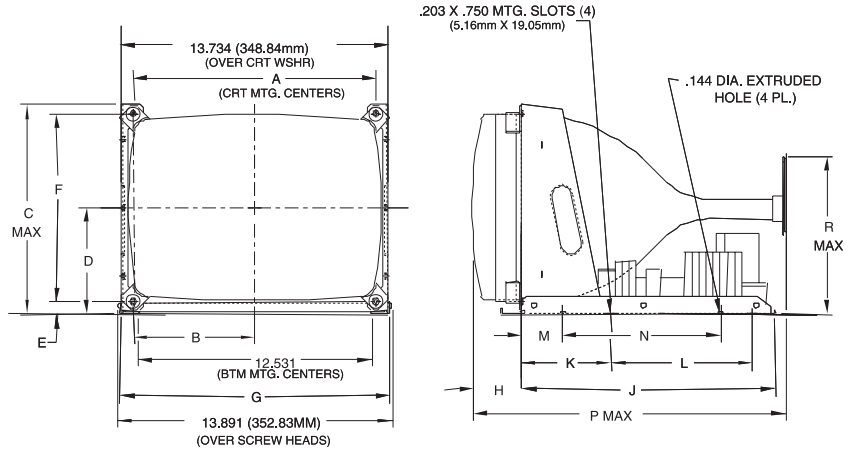
- I<sup>2</sup>C bus remote controls: brightness, contrast, horizontal size, horizontal position, vertical size, vertical position, pin cushion, trapezoid, parallelogram, pin balance, color temperature, factory setup recall, language menu
- Internal controls: Yoke reversal plug, sub-brightness, focus, G2 (screen)

# D9100 Series

# Monitor Specifications

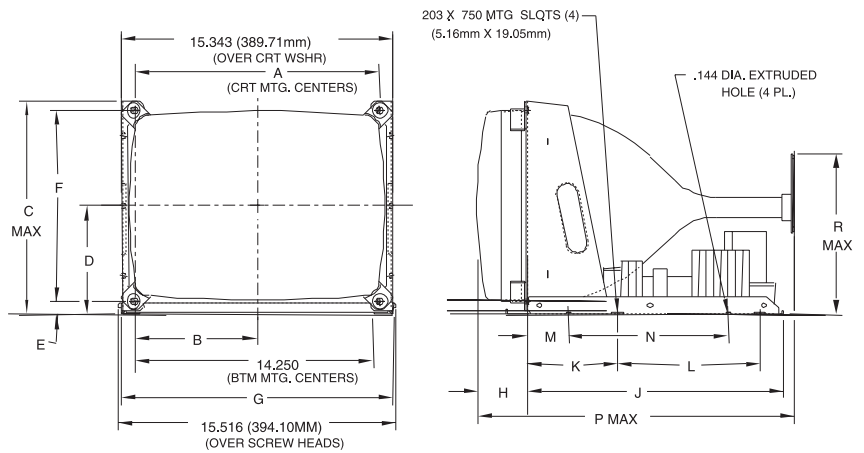
DIM.	IN.	MM.
A	12.859	326.62
B	6.429	136.29
C	11.175	283.84
D	5.593	142.06
E	.437	11.10
F	10.312	261.92
G	13.625	346.07
H	2.016	51.21
J	11.700	297.18
K	4.890	124.20
L	5.516	140.10
M	1.781	45.24
N	7.516	190.91
P	14.328	363.93
R	7.500	190.50

## 15" Digital Monitor



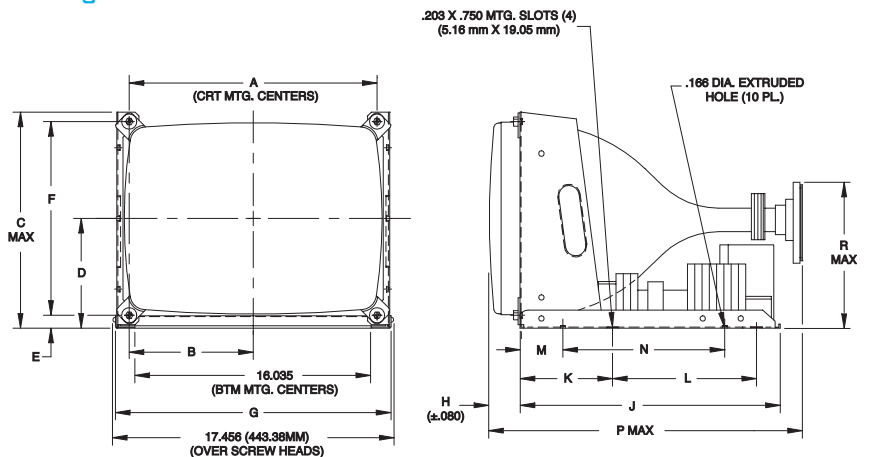
DIM.	IN.	MM.
A	14.516	368.71
B	7.258	184.35
C	12.350	313.69
D	6.187	157.15
E	.421	10.69
F	11.531	292.88
G	15.250	387.35
H	1.578	40.08
J	12.800	325.12
K	5.984	151.99
L	5.516	140.10
M	1.578	40.08
N	7.516	190.91
P	15.500	393.70
R	7.875	200.02

## 17" Digital Monitor



DIM.	IN.	MM.
A	16.078	408.38
B	8.039	204.19
C	13.500	342.90
D	6.837	173.66
E	0.485	12.32
F	12.704	322.68
G	17.190	436.63
H	1.670	45.42
J	13.500	342.90
K	5.968	151.59
L	6.250	158.75
M	1.547	39.29
N	9.547	242.50
P	16.965	430.91
R	9.000	228.60

## 19" Digital Monitor



Dimensions shown are for reference only. Specifications subject to change without notice.