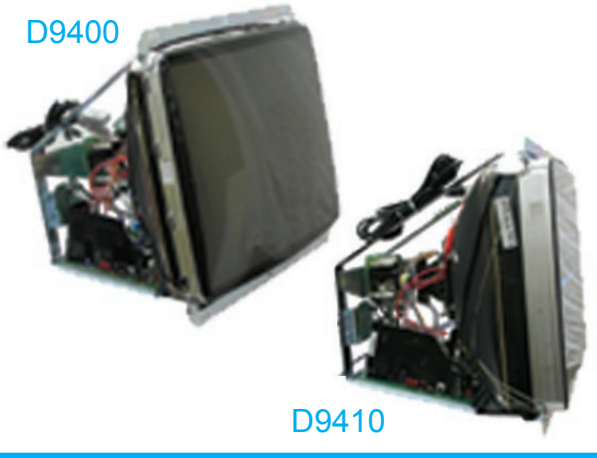


D9400/D9410 Series

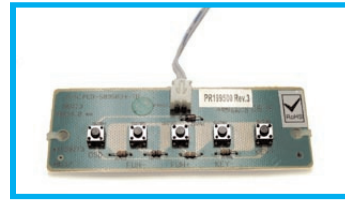
Monitor Specifications

Digital Monitor

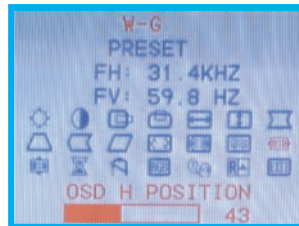
D9400



D9410



Push Button
Control Board



On-Screen Display

Power Input

- Input voltage: 90-265 VAC, 47-63 Hz.
- Maximum power: 80 watts type; 95 watts Max.

Resolution

- Graphics mode: CGA: 640 X 240
EGA: 773 X 384
VGA: 640 X 200,
640 X 350,
640 X 480
SVGA: 800 X 600
- Video bandwidth: 70 MHz typical.

Miscellaneous

- 105 Degree Capacitors for long life and reliability.
- Operating temperature: 0 to 55 degree C.
- Agency compliance: UL, CUL, DHHS.

Specification

- CRT size (diagonal measure): 27", 33" (OPTIONAL)
- Phosphor type: P22
- Color Temperature: 9300°K /8500K ± 300°K/User Adjustable
- Dot trio spacing: 0.83 mm (27"), 0.92mm (33")

Input Signals

- Video Input connector 1: 15 pin D-sub high density male; VGA compatible Analog .7 to 1volt level with 75 Ohm input.
- Video Input connector 2: 10 pin connector Analog 2.2 to 4 volt level at 250/350 Ohm; CGA/EGA 0.156 center header.
- Sync type: TTL & Standard CGA / EGA / VGA/ sync (positive or negative).
- Sync input: Separate or composite sync from 1 volt to 5 volt input.
- Sync Input Impedance: 2.2K Ohm (H sync and V sync)
- Horiz. / Vert. sync frequency: 15.75 to 40 KHz / 40 to 100 Hz.

Light Output

- 70 Ft-L min. (center block)

Geometry

- Horizontal linearity: Less than 7% Vertical linearity: Less than 5%
- Picture size regulation: 2%
- Geometric distortion: ±2% max.

User Controls Digitally Controlled

- Brightness, contrast, horizontal position, vertical position, horizontal size, vertical size, pin cushion, trapezoid, bow, parallel, OSD H position, OSD V position, OSD timer, degauss, color, language, Recall (factory reset), exit.
- Tilt, OSD menu
- Automatic Degauss: Manual Degauss, OSD menu.

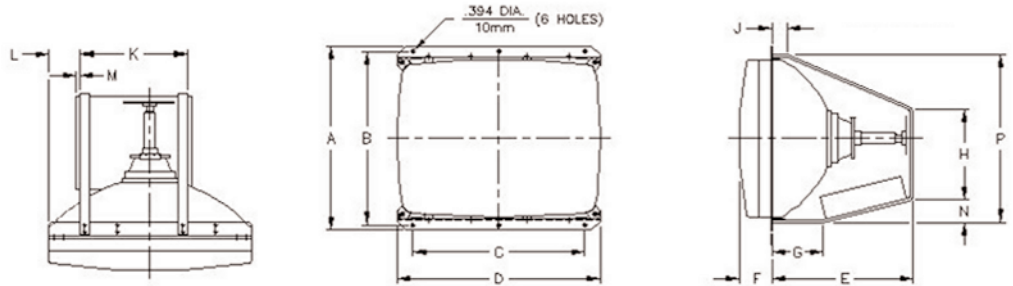
Specification subject to change without notice.

D9400/D9410 Series

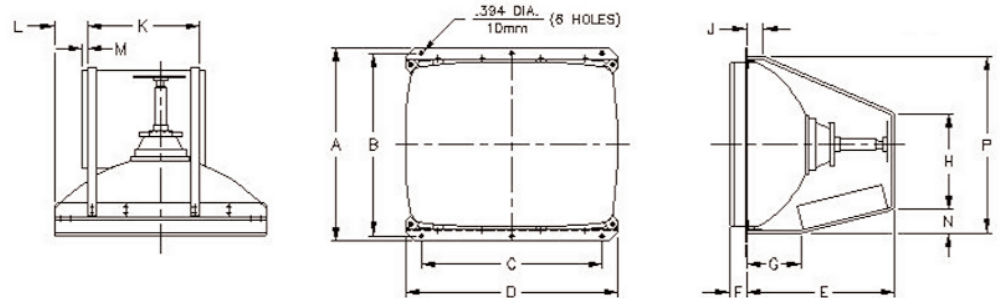
Monitor Specifications

27" Digital Monitor (Curved)

DIM.	IN.	MM.
A	21.893	556.08
B	20.644	524.36
C	20.644	524.36
D	24.390	619.51
E	16.187	411.15
F	3.292	83.62/66.67(Flat)
G	4.812	122.23
H	9.812	249.23
J	1.812	46.02
K	12.375	314.33
L	4.438	112.73
M	.900	22.86
N	4.250	107.95
P	20.187	512.75

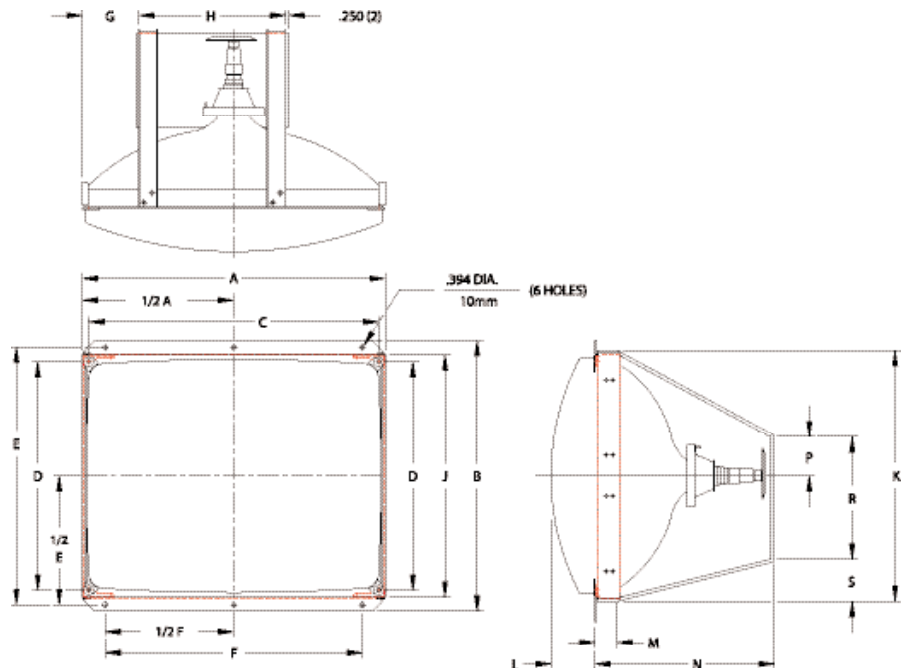


27" Digital Monitor (Flat)



33" Digital Monitor

DIM.	IN.	MM.
A	28.274	718.16
B	25.281	642.14
C	27.104	688.44
D	21.344	542.14
E	24.031	610.39
F	24.030	610.36
G	5.268	133.81
H	13.736	348.89
J	22.601	574.07
K	23.406	594.51
L	4.108	104.34
M	2.075	52.781
N	16.700	424.18
P	3.625	92.075
R	11.437	290.50
S	3.880	98.552



Dimensions shown are for reference only. Specifications subject to change without notice.