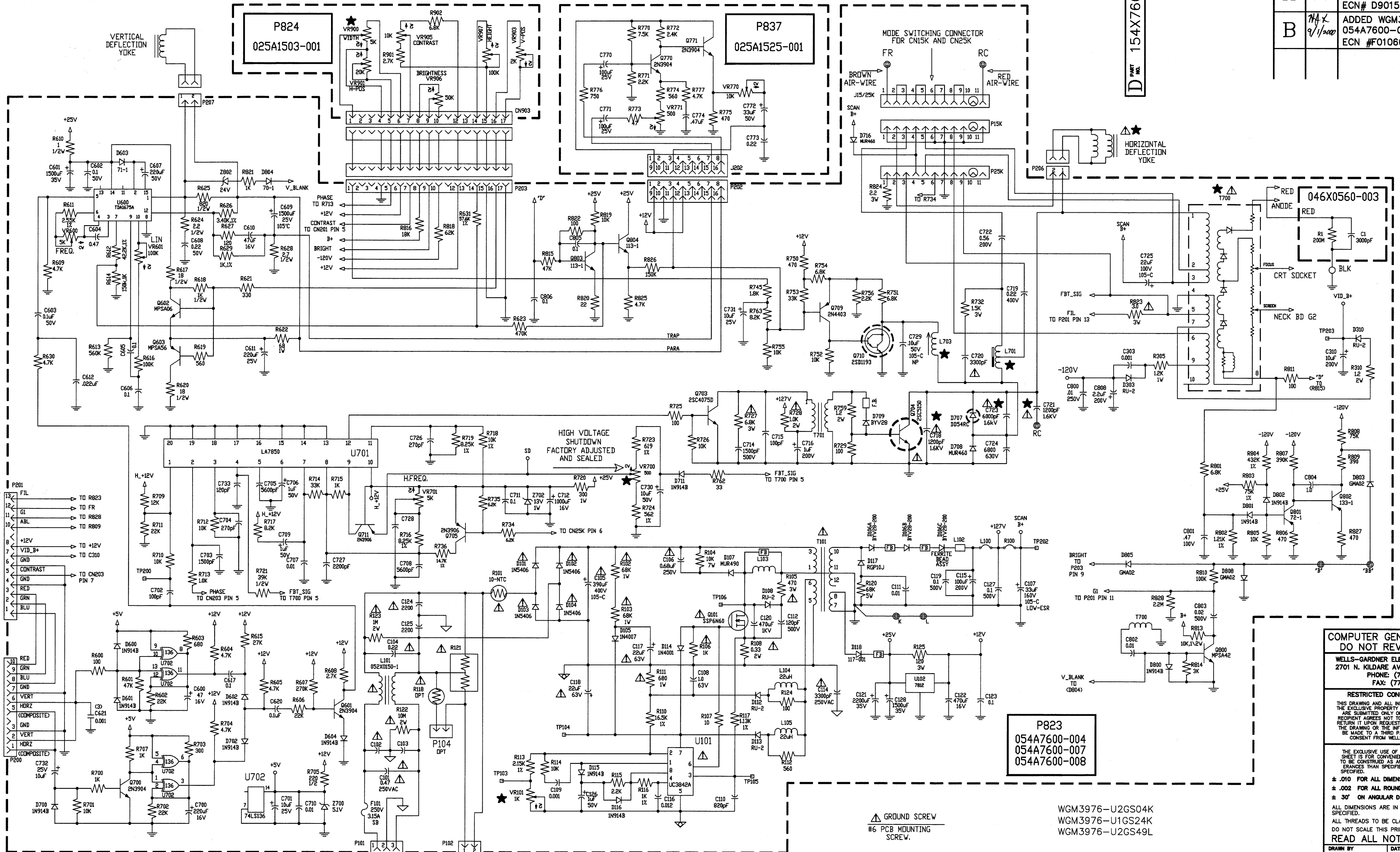


ISSUE		APP'D. BY	REVISIONS
ORIG.			RELEASED PER ECN# B90019 SJO 11/15/99
A	ELL 11/24/99		ADDED WGM3976-U2GS04K & 054A7600-004 ECN# D90156 SJO 11/23/99
B	74x 9/1/2000		ADDED WGM3976-U2GS49L 054A7600-008 & NOTE #3, 4, 10 ECN #F01060 SJO 8/29/00

PART NO. 154X7600-007



NOTE:
 1. CAPACITANCE VALUES LESS THAN 1 ARE MICROFARADS, ABOVE 1 IN PICOFARADS UNLESS OTHERWISE INDICATED.
 2. THE RESISTOR ARE IN OHMS, "1/4W" AND "5%" UNLESS OTHERWISE NOTED.
 3. C621 IS PRESENT ONLY ON MODEL WGM3976-U1GS24K

⚠ CAUTION SAFETY CRITICAL COMPONENT.
 ★ X-RAY RADIATION RELATED COMPONENT.
 REPLACE ONLY WITH SAME TYPE
 1/8W TYP PARTS AS SHOWN IN PARTS LIST.

WGM3976-U2GS04K
 WGM3976-U1GS24K
 WGM3976-U2GS49L

**COMPUTER GENERATED DRAWING
DO NOT REVISE MANUALLY**

WELLS-GARDNER ELECTRONICS CORPORATION
 2701 N. KILDARE AVE. CHICAGO, IL 60639
 PHONE: (773) 252-8220
 FAX: (773) 292-6632

RESTRICTED CONFIDENTIAL DOCUMENT
 THIS DRAWING AND ALL INFORMATION SHOWN HEREON ARE THE EXCLUSIVE PROPERTY OF WELLS-GARDNER CORP. AND ARE SUBMITTED ONLY ON A CONFIDENTIAL BASIS. THE RECIPIENT AGREES NOT TO REPRODUCE THE DRAWING, TO RETURN IT UPON REQUEST, AND THAT NO DISCLOSURE OF THE DRAWING OR THE INFORMATION SHOWN HEREON WILL BE MADE TO A THIRD PARTY WITHOUT PRIOR WRITTEN CONSENT FROM WELLS-GARDNER CORPORATION.

THE EXCLUSIVE USE OF DECIMAL DIMENSIONS ON THIS SHEET IS FOR CONVENIENCE IN CHECKING AND IS NOT TO BE CONSTRUED AS AN INDICATION OF CLOSER TOLERANCES THAN SPECIFIED BELOW UNLESS OTHERWISE SPECIFIED.
 ± .010 FOR ALL DIMENSIONS EXCEPT ROUND HOLES.
 ± .002 FOR ALL ROUND HOLES AND ROUND PARTS.
 ± 30° ON ANGULAR DIMENSIONS.
 ALL DIMENSIONS ARE IN INCHES UNLESS OTHERWISE SPECIFIED.
 ALL THREADS TO BE CLASS #2 FIT.
 DO NOT SCALE THIS PRINT.
READ ALL NOTES.

DRAWN BY SJO	DATE 11/15/99	SCALE N/S
APPROVED (MECH.) ROBERT LUBE	APPROVED (ELEC.)	APPROVAL DATE
MATERIAL SPECS	FINISH/COLOR	
SHEET 1 OF 2 SHEET(S)	CAD DISK / DWG. NO.	
NAME P823, M3976 SCHEMATIC DIAG. 39" K7600		

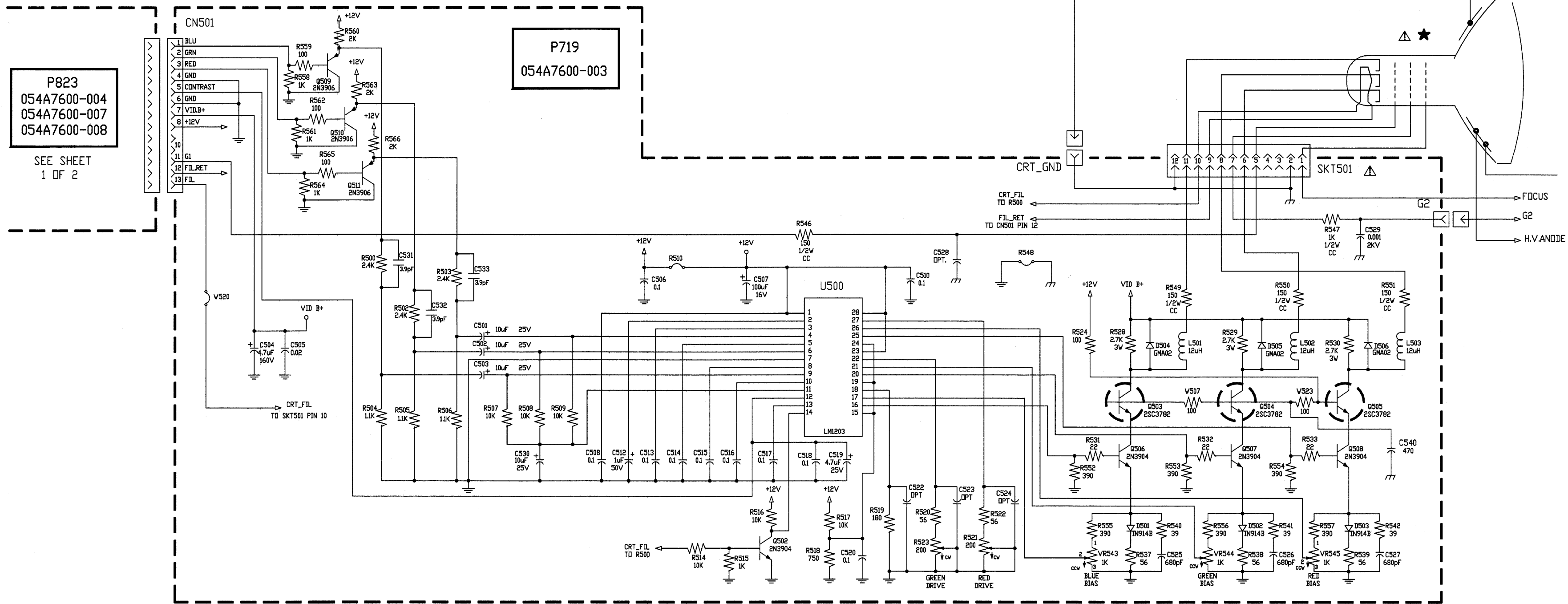
ASSOCIATE DRAWINGS **D** PART NO. 154X7600-007

CONTROLLED DOCUMENT

PART NO. 154X7600-007

IN ALL COMMUNICATION REFER TO PART NUMBER AND ISSUE

ISSUE	APP'D. BY	REVISIONS
ORIG.		RELEASED PER ECN# B90019 SJO 11/15/99
A	H.L. 11/24/99	ADDED WGM3976-U2GS04K & 054A7600-004 ECN# D90156 SJO 11/23/99
B	H.L. 9/1/2000	ADDED WGM3976-U2GS49L & 054A7600-008 & NOTE #3.1/1/2000 ECN #F01060 SJO 8/29/00



P823
054A7600-004
054A7600-007
054A7600-008

SEE SHEET 1 OF 2

P719
054A7600-003

P823
054A7600-004
054A7600-007
054A7600-008

SEE SHEET 1 OF 2

⚠ CAUTION SAFETY CRITICAL COMPONENT.
★ X-RAY RADIATION RELATED COMPONENT.
REPLACE ONLY WITH SAME TYPE
1/8" TYPICAL PARTS AS SHOWN IN PARTS LIST.

- NOTE:
- CAPACITANCE VALUES LESS THAN 1 ARE MICROFARADS, ABOVE 1 IN PICOFARADS UNLESS OTHERWISE INDICATED.
 - THE RESISTOR IS IN OHMS, "1/4W" AND "5%" UNLESS OTHERWISE NOTED.
 - C621 IS PRESENT ONLY ON MODEL WGM3976-U1GS24K

⚠ GROUND SCREW
#6 PCB MOUNTING SCREW.

COMPUTER GENERATED DRAWING
DO NOT REVISE MANUALLY

WELLS-GARDNER ELECTRONICS CORPORATION
2701 N. KILDARE AVE. CHICAGO, IL. 60639
PHONE: (773) 252-8220
FAX: (773) 292-5632

RESTRICTED CONFIDENTIAL DOCUMENT
THIS DRAWING AND ALL INFORMATION SHOWN HEREON ARE THE EXCLUSIVE PROPERTY OF WELLS-GARDNER CORP. AND ARE SUBMITTED ONLY ON A CONFIDENTIAL BASIS. THE RECIPIENT AGREES NOT TO REPRODUCE THE DRAWING, TO RETURN IT UPON REQUEST, AND THAT NO DISCLOSURE OF THE DRAWING OR THE INFORMATION SHOWN HEREON WILL BE MADE TO A THIRD PARTY WITHOUT PRIOR WRITTEN CONSENT FROM WELLS-GARDNER CORPORATION.

THE EXCLUSIVE USE OF DECIMAL DIMENSIONS ON THIS SHEET IS FOR CONVENIENCE IN CHECKING AND IS NOT TO BE CONSTRUED AS AN INDICATION OF CLOSER TOLERANCES THAN SPECIFIED BELOW UNLESS OTHERWISE SPECIFIED.
± .010 FOR ALL DIMENSIONS EXCEPT ROUND HOLES.
± .002 FOR ALL ROUND HOLES AND ROUND PARTS.
± 30° ON ANGULAR DIMENSIONS.
ALL DIMENSIONS ARE IN INCHES UNLESS OTHERWISE SPECIFIED.
ALL THREADS TO BE CLASS #2 FIT.
DO NOT SCALE THIS PRINT.
READ ALL NOTES.

DRAWN BY SJO	DATE 11/15/99	SCALE N/S
APPROVED (MFG.) ROBERT LUBE	APPROVED (ELEC.) ---	APPROVAL DATE ---

MATERIAL SPEC: ---
FINISH/COLOR: ---

SHEET 2 OF 2 SHEET(S)
NAME: P823, M3976
SCHEMATIC DIAG. 39" K7600
CAD DISK / DWG. NO.: ---

CONTROLLED DOCUMENT

ASSOCIATE DRAWINGS

PART NO. 154X7600-007