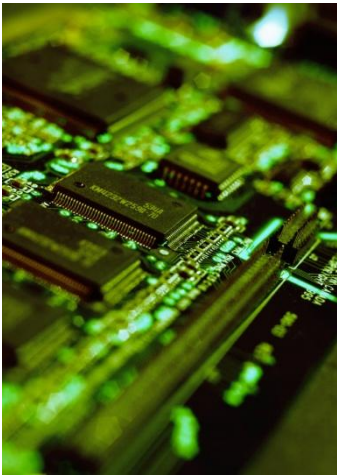



## 23" Family Series

Design and Innovation



- ✓ **LED Back Lighting for reduced Power Consumption**
- ✓ **UL Safety & FCC Approved**
- ✓ **12V DC Input**
- ✓ **Touch Options**
- ✓ **MoniCU Support**

Maximum Resolution	1920 x 1080 @ 60Hz
Contrast Ratio	1000:1
Brightness	300 Nits
Response Time (G-G)	12 ms typical
Viewing Angle: Horizontal / Vertical	178 /178 Degrees
Video Interfaces	VGA, DVI-I (Analog and Digital)*
Horizontal Frequency Range	28-83 KHz
Vertical Frequency Range	49 – 76 Hz
Power Consumption	~16.5W typical,
AC Input Range (DC Brick)	100-240VAC
Electrical Safety	UL /CE TUV Safety
RF Emission Limits	FCC Part 15 Class A
Electrostatic Discharge Immunity	EN61000-4-2
Operating Temperature	0 to +50 C
	5 Profiles Supported **

Models	300 NITS	No Glass	Tempered Glass	3M Touch w/USB	Optera Touch w/Serial??
WGF2359-SFBS09C	✓	✓			
WGF2359-SFBS17C	✓		✓		
WGF2359-MFBS18C	✓			✓	
WGF2359-DFBS19C	✓				✓

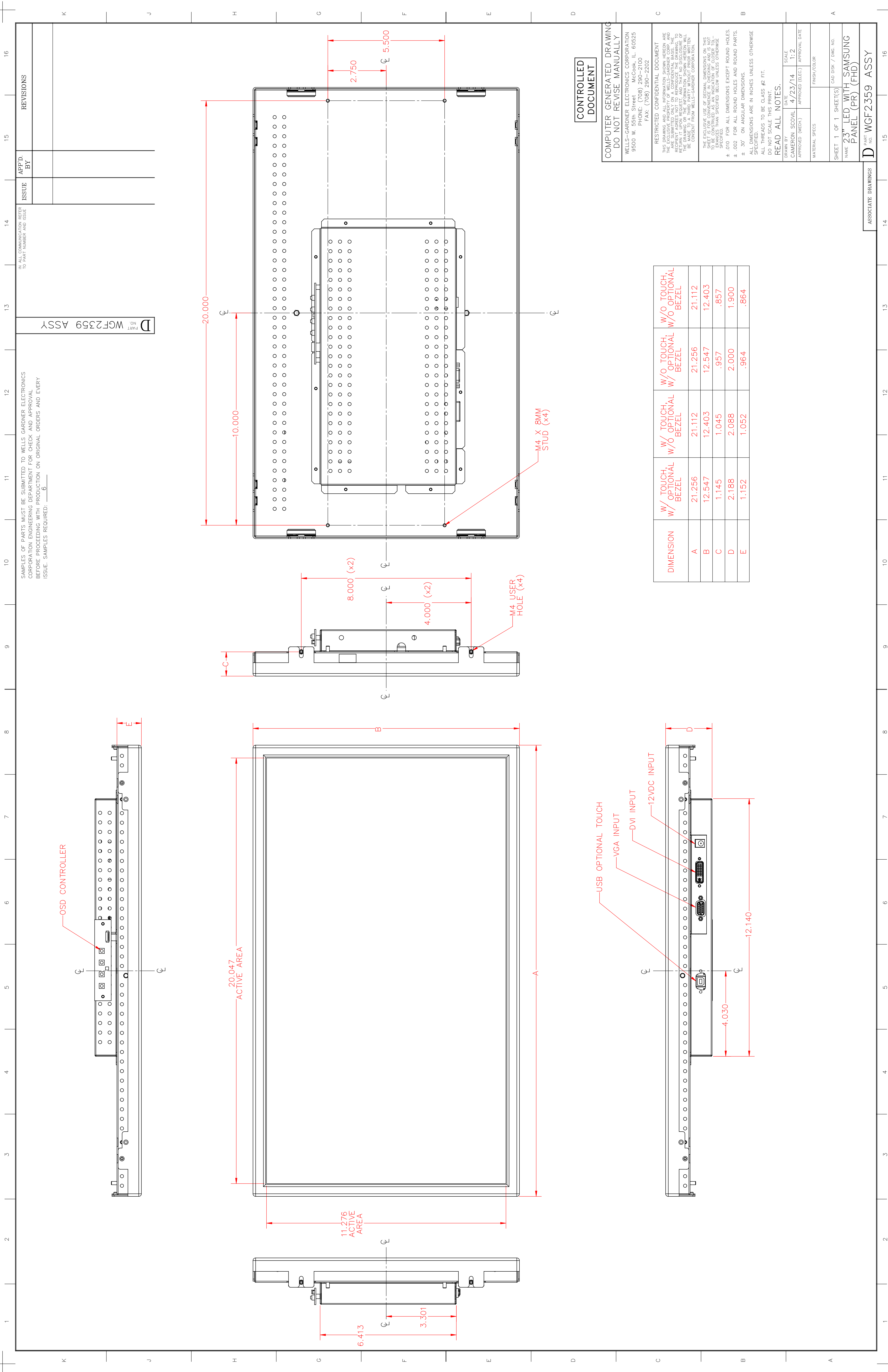
(\*) Other options available (HDMI, etc.), upon request

(\*\*) MoniCU allows the user to create, save, and use profiles to create the ideal look for their monitor. Each profile contains the values of a large subset of monitor attributes such as brightness, contrast, and color temperature.



9500 W. 55<sup>th</sup> Street  
Suite A  
McCook, Illinois 60525-3605 USA  
Phone 708-290-2100  
Fax 708-290.2202

069XXXX-100A

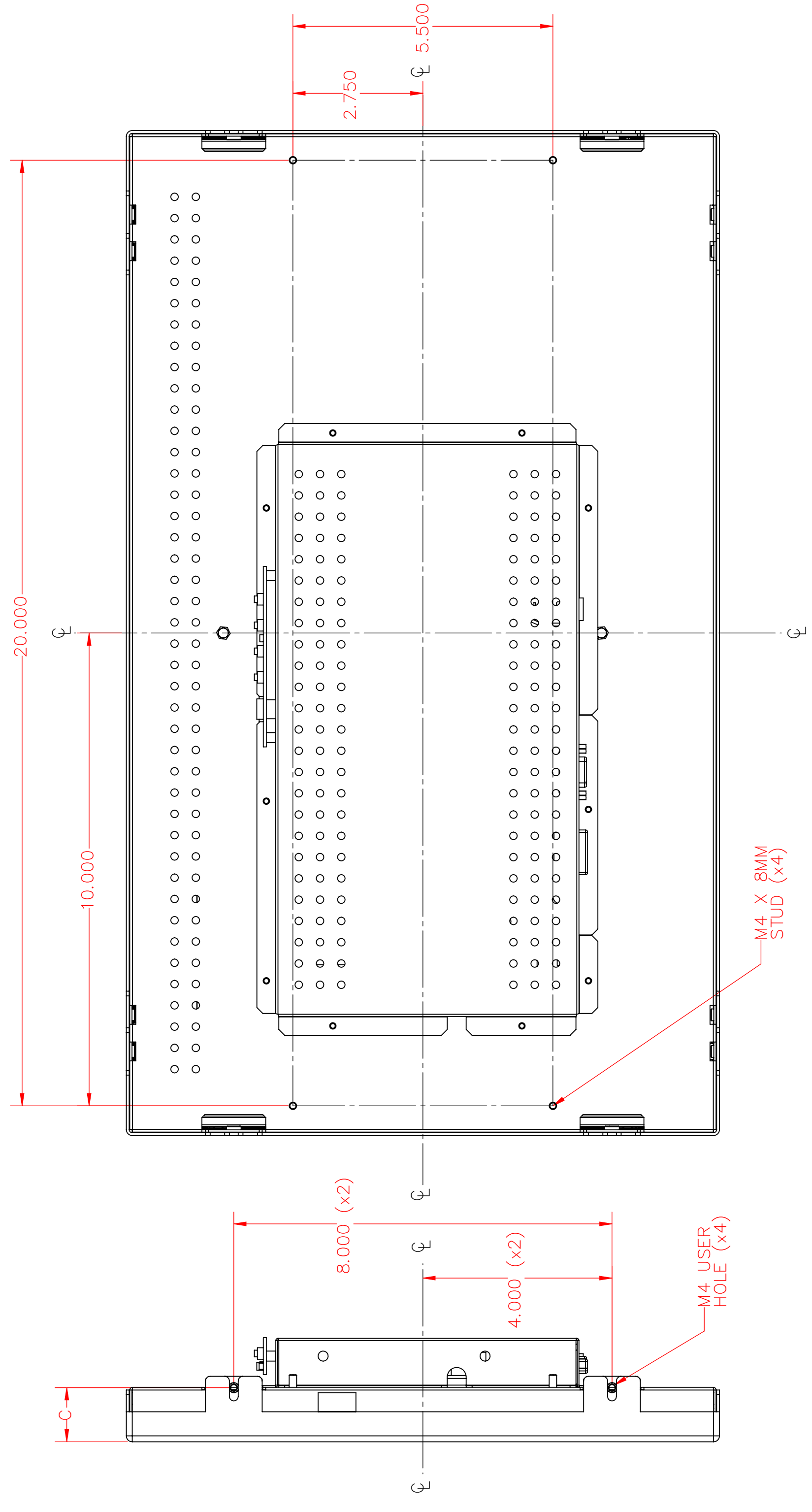


SAMPLES OF PARTS MUST BE SUBMITTED TO WELLS GARDNER ELECTRONICS CORPORATION ENGINEERING DEPARTMENT FOR CHECK AND APPROVAL BEFORE PROCEEDING WITH PRODUCTION ON ORIGINAL ORDERS AND EVERY ISSUE. SAMPLES REQUIRED: 6

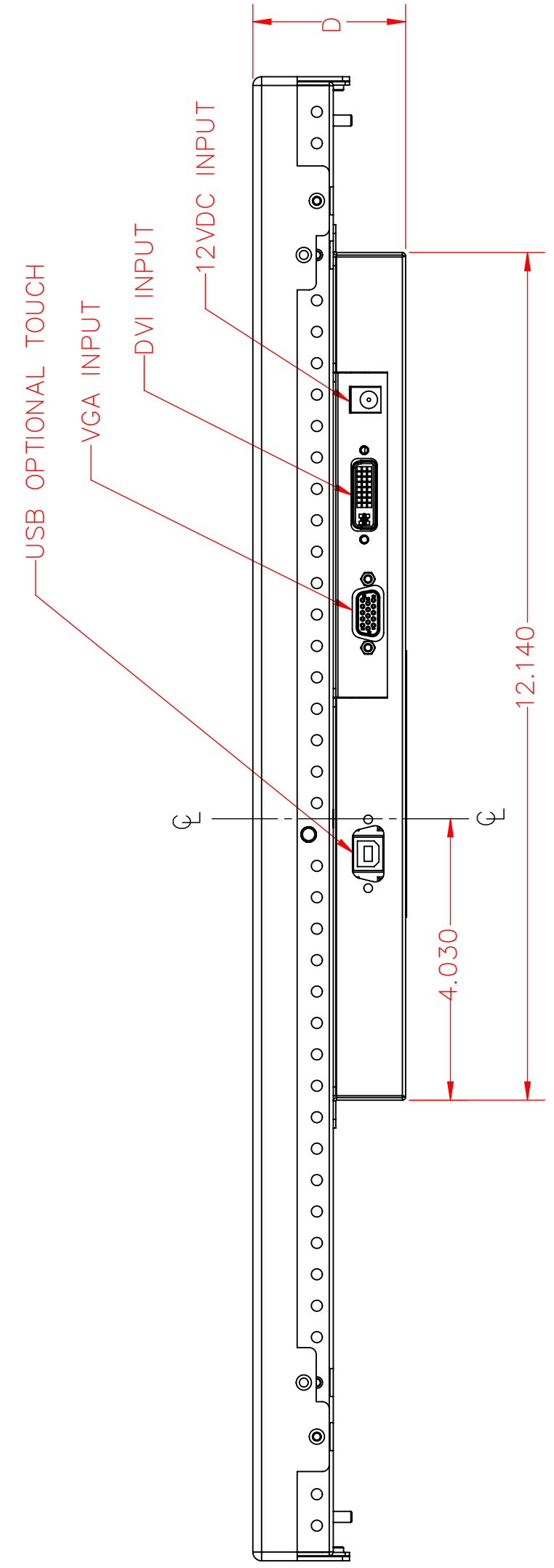
WGF2359 ASSY  
PART NO. D

ISSUE	APP'D. BY	REVISIONS

IN ALL COMMUNICATION REFER TO PART NUMBER AND ISSUE



DIMENSION	W/ TOUCH, W/ OPTIONAL BEZEL	W/O TOUCH, W/O OPTIONAL BEZEL	W/ TOUCH, W/O OPTIONAL BEZEL	W/O TOUCH, W/O OPTIONAL BEZEL
A	21.256	21.112	21.256	21.112
B	12.547	12.403	12.547	12.403
C	1.145	1.045	.957	.857
D	2.188	2.088	2.000	1.900
E	1.152	1.052	.964	.864



CONTROLLED DOCUMENT

COMPUTER GENERATED DRAWING  
DO NOT REVISE MANUALLY  
WELLS-GARDNER ELECTRONICS CORPORATION  
9500 W. 55th Street McCook, IL 60525  
PHONE: (708) 290-2100  
FAX: (708) 290-2202

RESTRICTED CONFIDENTIAL DOCUMENT  
THIS DRAWING AND ALL INFORMATION SHOWN HEREON ARE THE PROPERTY OF WELLS-GARDNER ELECTRONICS CORPORATION AND ARE SUBMITTED ONLY ON A CONFIDENTIAL BASIS. THE RECIPIENT AGREES NOT TO REPRODUCE, THE DRAWING, TO DISCLOSE OR THE INFORMATION SHOWN HEREON WILL BE CONSIDERED CONFIDENTIAL INFORMATION AND WILL BE CONSIDERED CONFIDENTIAL INFORMATION.

THE FINISH USE OF REMAINS DIMENSIONS ON THIS SHEET IS FOR CONFORMANCE IN CHECKING AND IS NOT TO BE USED FOR MANUFACTURING PURPOSES UNLESS OTHERWISE SPECIFIED.  
± .010 FOR ALL DIMENSIONS EXCEPT ROUND HOLES.  
± .002 FOR ALL ROUND HOLES AND ROUND PARTS.  
± .30° ON ANGULAR DIMENSIONS.  
ALL DIMENSIONS ARE IN INCHES UNLESS OTHERWISE SPECIFIED.  
DIMENSIONS TO BE CLASS #2 FIT.  
DO NOT SCALE THIS PRINT

READ ALL NOTES.

SCALE	1:1
DATE	4/23/14
APPROVED (MECH)	
APPROVED (ELEC)	
APPROVAL DATE	
MATERIAL SPECS	FINISH/COLOR

SHEET 1 OF 1 SHEET(S) CAD DISK / DWG. NO.  
NAME 23" LED WITH SAMSUNG PANEL (PR) (FHD)

PART NO. D WGF2359 ASSY

ASSOCIATE DRAWINGS